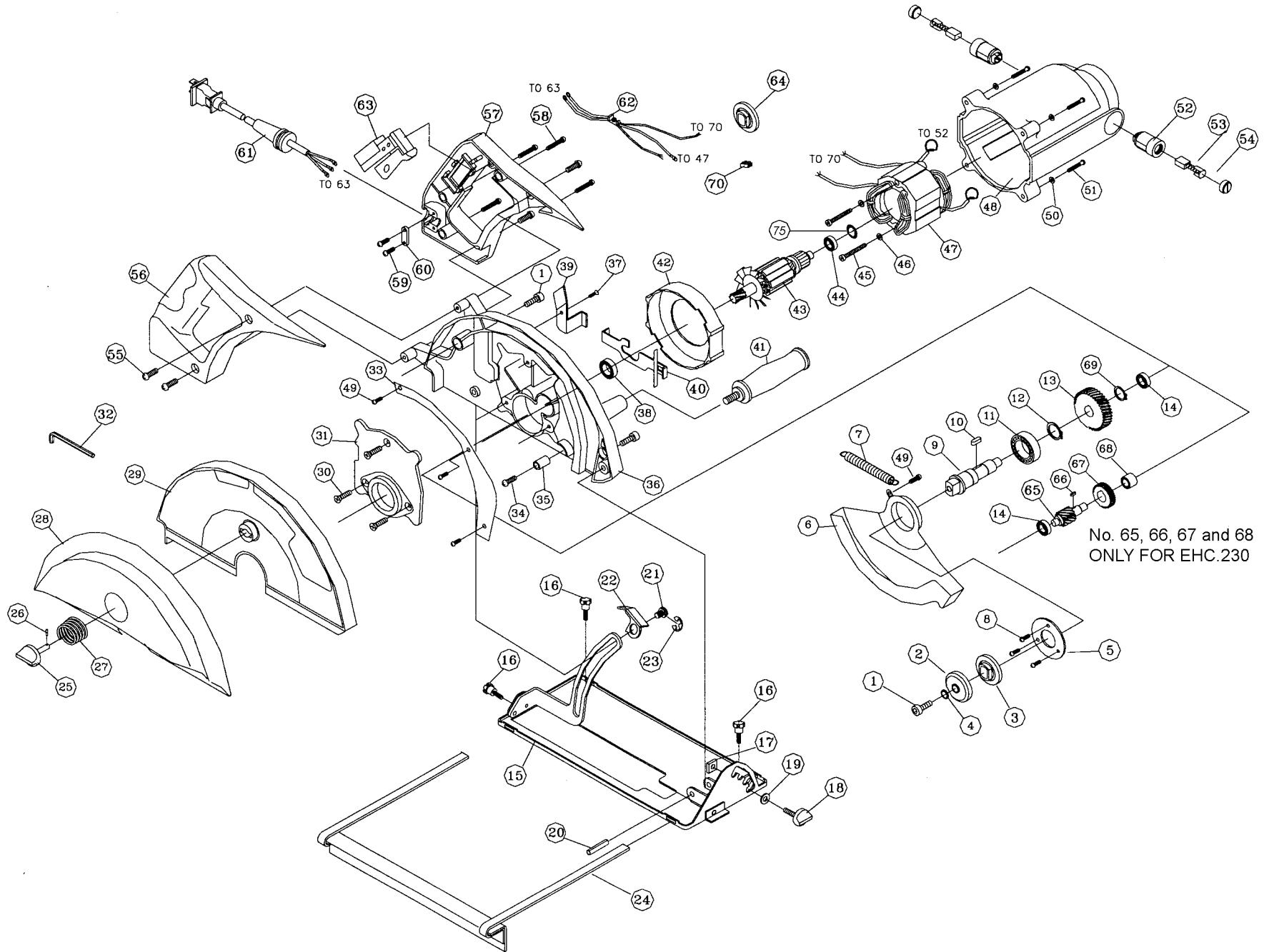


EHC.200 & EHC.230



SPAREPARTS EHC.200 & EHC.230/2

Drawing no.	Description	EHC.200	EHC.230/2
1	Bolt 8x16	202.0001	<<
2	Outer Flange	202.0006	<<
3	Inner Flange 20/25.4mm	202.0011	<<
4	Flat washer	202.0016	<<
5	Bearing Cover	202.0021	<<
6	Blade Guard	202.0026	232.0026
7	Spring	202.0031	<<
8	Screw	202.0036	<<
9	Spindle	202.0041	232.0041
10	Key	202.0046	<<
11	Bearing	202.0051	<<
12	Circlip	202.0056	<<
13	Output Gear	202.0061	232.0061
14	Bearing	202.0066	<<
15	Base	202.0071	232.0071
16	Thumb Screw	202.0076	<<
17	Bevel locking block	202.0081	<<
18	Bevel locking knob	202.0086	<<
19	Washer	202.0091	<<
20	Screw	202.0096	<<
21	Depth lock pin	202.0101	<<
22	Depth lock lever	202.0106	<<
23	E-clip	202.0111	<<
24	Rip Fence	202.0116	232.0116
25	Cover lock knob	202.0121	<<
26	Pin	202.0126	<<
27	Spring	202.0131	<<
28	Outer Blade Cover	202.0136	232.0136
29	Inner Blade Cover	202.0141	232.0141
30	Screw	202.0146	<<
31	Gear Plate	202.0151	232.0151
32	Wrench	202.0156	<<
33	Dust Cover Plate	202.0161	232.0161
34	Screw	202.0166	<<
35	Bump spacer	202.0171	<<
36	Main Body Casting	202.0176	232.0176
37	Screw	202.0181	<<
38	Bearing	085.0366	<<
39	Motorcable cover plate	202.0191	232.0191
40	Blade lock lever	202.0196	<<
41	Side handle	202.0201	<<
42	Fan Shroud	202.0206	<<
43	Armature 220v	202.0211	232.0211
44	Bearing	202.0216	<<
45	Screw	202.0221	<<
46	Lock washer	202.0226	<<
47	Field 220v	202.0231	232.0231
48	Housing	202.0236	<<
49	Screw	202.0241	<<
50	Flat washer	202.0246	<<
51	Screw	202.0251	<<

52	Brush Holder	202.0256	<<
53	Carbon brush set	202.0261	<<
54	Brush Cap	202.0266	<<
55	Screw	202.0271	<<
56	Handle Right	202.0276	<<
57	Handle Left	202.0281	<<
58	Screw	202.0286	<<
59	Screw	202.0291	<<
60	Cord Clip	202.0296	<<
61	Main Cable	020.0036	<<
62	Wire lead	202.0301	<<
63	Switch	202.0306	<<
64	Same as #3	202.0011	<<
65	Intermediate Gear 11T	x	232.0316
66	Woodruff Key	x	232.0321
67	First Gear 20T	x	232.0326
68	Needle Bearing	x	232.0331
69	Circlip	x	232.0336
75	Armature washer	202.0311	<<
-	Speed Control Unit 230/2V	x	232.0401