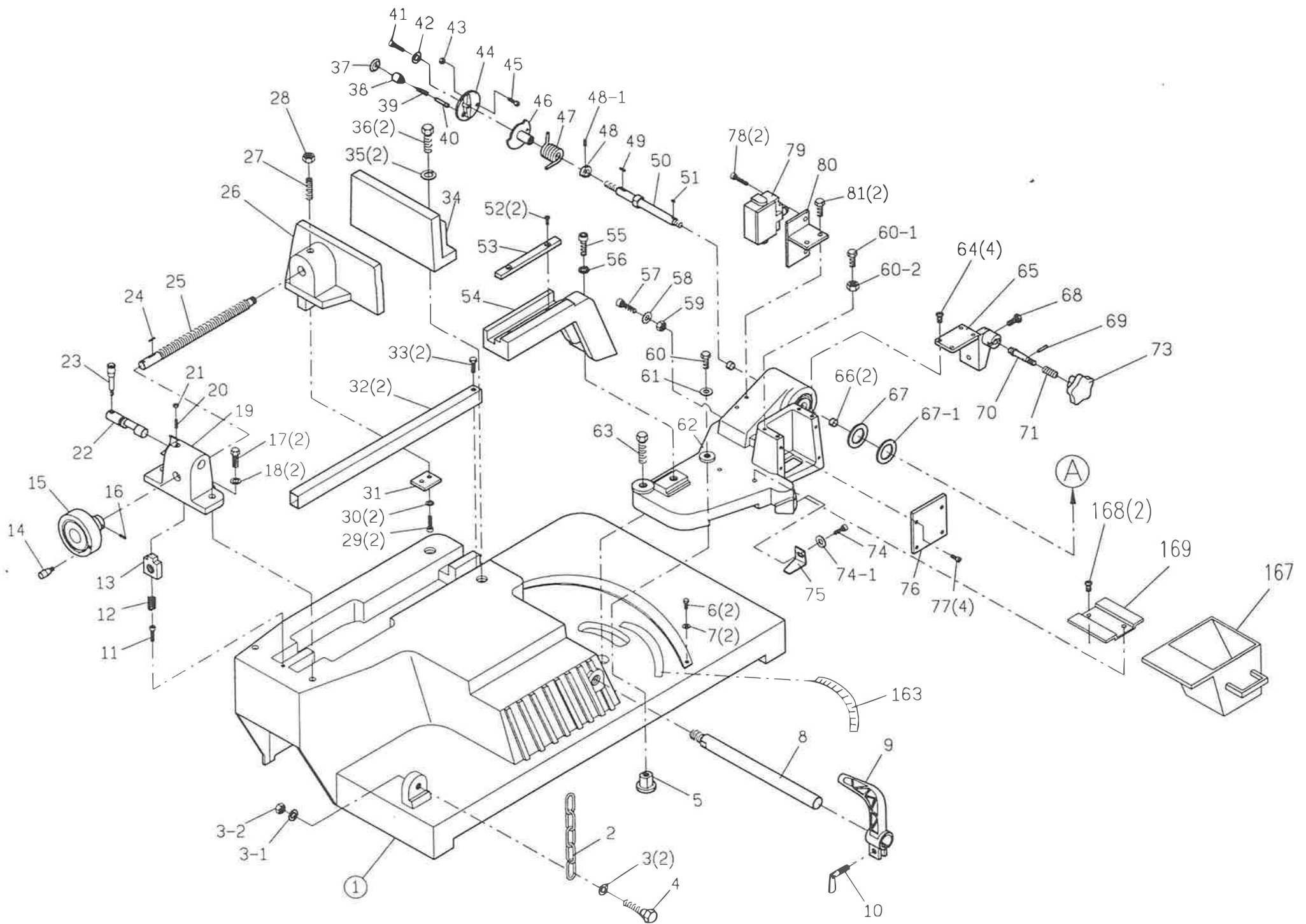


Spareparts - EBS.400

Nr.	Part number	Description
1	400.0006	Base
2	400.0011	Chain
3	400.0016	Washer
3-2	400.0017	Nut
4	400.0021	Bolt 5x25
5	400.0026	Set Cap Nut
6	400.0031	Bolt M6x10
7	400.0036	Washer
8	400.0041	Stop rod
9	400.0046	Stop block
10	400.0051	Thumb Screw
11	400.0056	Screw
12	400.0061	Spring
13	400.0066	Nut
14	400.0071	Wheel handle
15	400.0076	Wheel
16	400.0081	Screw
17	400.0086	Bolt M6x8
18	400.0091	Spring Washer
19	400.0096	Nut seat
20	400.0101	Screw M5x12
21	400.0106	Nut M5
22	400.0111	Eccentric shaft
23	400.0116	Eccentric handle
24	400.0121	Round Key
25	400.0126	Lead screw
26	400.0131	Vise jaw (left)
27	400.0136	Screw
28	400.0141	Nut M5
29	400.0146	Bolt M6
30	400.0151	Washer
31	400.0156	Set plate
32	400.0161	Square guard tube
33	400.0166	Bolt M6
34	400.0171	Vise jaw (right)
35	400.0176	Washer
36	400.0181	Bolt M10
37	400.0186	Set Cover
38	400.0191	Bushing
39	400.0196	Spring
40	400.0201	Pin
41	400.0206	Screw
42	400.0211	Washer
43	400.0216	Nut
44	400.0221	Spring Adjusting Plate
45	400.0226	Screw
46	400.0231	Spring set seat
47	400.0236	Spring
48	400.0241	Cut Off power ring
49	400.0246	Round key
50	400.0251	Joint shaft

51	400.0256	Square key
52	400.0261	Screw
53	400.0266	Support plate
54	400.0271	Swivel support elbow
55	400.0276	Bolt
56	400.0281	Washer
57	400.0286	Bolt
58	400.0291	Washer
59	400.0296	Nut
60	400.0301	Bolt
60-1	400.0306	Bolt
60-2	400.0311	Nut
61	400.0316	Washer
62	400.0321	Swifel miter base
63	400.0326	Bolt
64	400.0331	Screw
65	400.0336	Shaft Seat
66	400.0341	Self-lubricated bushing
67	400.0346	SL flat washer
67-1	400.0351	Washer
68	400.0356	Button socket screw
69	400.0361	Spin
70	400.0366	Shaft
71	400.0371	Spring
73	400.0376	Set knob
74	400.0381	Cross screw
75	400.0386	Miter Mirror
76	400.0391	Plate
77	400.0396	Cross screw
78	400.0401	Bolt
79	400.0406	Limit switch
80	400.0411	Switch plate
81	400.0416	Screw
82	400.0421	Set Screw
83	400.0426	Ball bearing
84	400.0431	Washer
84-1	400.0436	Spring washer
85	400.0441	Screw
86	400.0446	Blade guard (left)
87	400.0451	Adjustable bracket (left)
88	400.0456	Saw head raisily knob
89	400.0461	Nut
90	400.0466	Blad tension handle shaft
91	400.0471	Blade wheel seat tooth
92	400.0476	Blade wheel seat
93	400.0481	Nut
94	400.0486	Blade tension block
95	400.0491	Compr. Spring lock bolt
96	400.0496	U-plate
97	400.0501	Compression ring
98	400.0506	Screw
99	400.0511	Guide plate
100	400.0516	Blade wheel shaft (right)
100-1	400.0521	Set screw



101	400.0526	Blade wheel (left)
102	400.0531	Ball bearing
103	400.0536	C-ring
104	400.0541	Washer
105	400.0546	Washer
106	400.0551	Socket screw
107	400.0556	Screw
108	400.0561	Blade cover
112	400.0566	Screw
113	400.0571	Washer
114	400.0576	Washer
115	400.0001	Sawblade
116	400.0581	C-ring
117	400.0586	Ball bearing
118	400.0591	Rubber ring
119	400.0596	Blade wheel (right)
120	400.0601	Felt pad
121	400.0606	Down Speed Cogwheel
122	400.0611	Screw
123	400.0616	Blade wheel shaft (right)
124	400.0621	Saw arm
125	400.0626	Spindle
125-1	400.0631	Washer
125-2	400.0636	Centrifugal switch
125-3	400.0641	Bolt
126	400.0646	Cover W/Silicon steel
126-1	400.0651	Cooling fan cover
126-2	400.0656	Flat washer
126-3	400.0661	Button socket screw
127	400.0666	90° Support bar
128	400.0671	Nut
129	400.0676	Screw
130	400.0681	Spring washer
131	400.0686	Magnetic switch
131-1	400.0691	Capacitor
132	400.0696	Switch case
132-1	400.0701	Tapping screw
133	400.0706	Screw
134	400.0711	Nut
135	400.0716	Washer
136	400.0721	Ball bearing
136-1	400.0726	Bearing pin
137	400.0731	Carry handle
142	400.0736	Screw
143	400.0741	Blade guard
144	400.0746	Screw
145	400.0751	Spring washer
146	400.0756	Ball bearing seat
147	400.0761	Ball bearing
148	400.0766	Round key
149	400.0771	Screw
150	400.0776	Flat washer
150-1	400.0781	Spring washer

151	400.0786	Ball bearing
152	400.0791	Screw
153	400.0796	Protecting plate
154	400.0801	Screw
155	400.0806	Screw
156	400.0811	Blade tension handle
157	400.0816	Bushing
158	400.0821	Chain hook
158-1	400.0826	Flat washer
159	400.0831	Screw
160	400.0836	Adjustable bracket handle
161	400.0841	Flat washer
162	400.0846	Power cord
163	400.0851	Scale
165	400.0856	Nut
166	400.0861	Bolt
167	400.0871	Chip tray
168	400.0876	Screw
169	400.0881	Supporting plate

